



PROJECT NAME		AIA#
LOCATION		
ITEM #	QTY	SIS#
MODEL #		

EZ BREW POUR-OVER BREWER

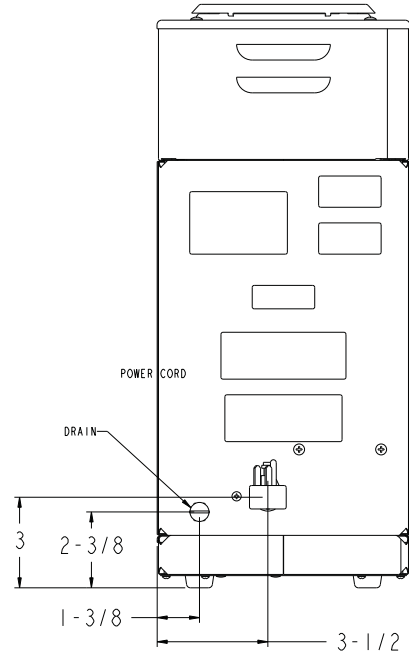
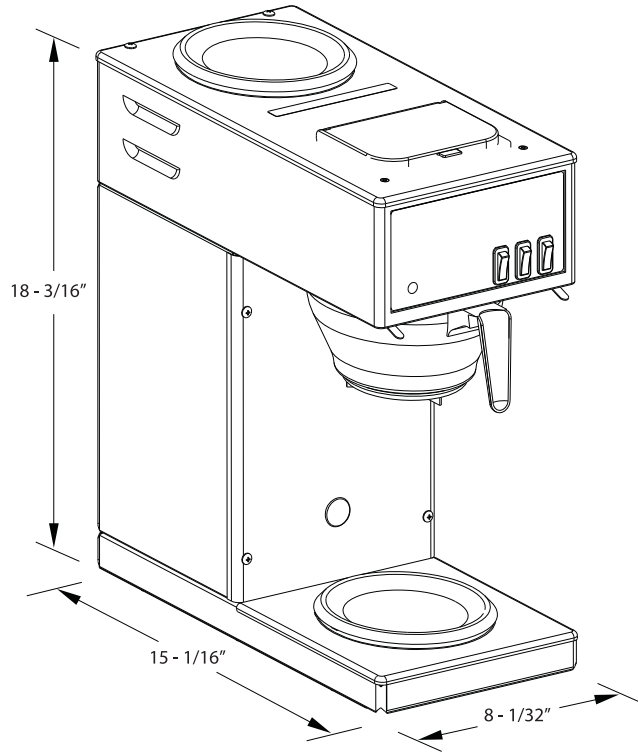


EZ BREW POUR-OVER BREWER

- A narrow design and small foot print provide maximum counter space.
- Pour over design provides repeatability and location versatility. After pre-heating, pour in a cold pot of water and instantly a hot pot is poured through the coffee filter.
- Self-regulating warmers adjust their temperature automatically. As the volume in the decanter decreases, the warmers adjust to keep the coffee at the perfect serving temperature.
- Heavy gauge stainless steel construction.
- Lighted warmer switches and 'Ready to Brew' light indicate power usage and when the unit is pre-heated.

Model Number	Capacity	Dimensions H / W / D	Power	Approvals	Plug Type	Shipping
1034560	90 cups / hour	18-3/16" 8-1/32" 15-1/16"	120V 1650W 14A	UL NSF	NEMA 5-15P	16 lbs. 2.1 cu. ft.

EZ BREW POUR-OVER BREWER



Power Supply Chord • 6 ft. / 2 wire + ground / 14 AWG / 15 amp rating.

Accessories



Thermal Server
Model # 9500459

64 oz. / Brew-thru Lid / 7" Height



Glass Decanter
Model # 9904334

64 oz. / Orange Lid - Model # 9904313



Filter Paper
Model # 9906605
1000 pc. per case



The Total Solution For All Your Coffee Brewing Needs

20333 South Normandie Avenue • Torrance, CA 90502-1215

Phone (800) 421-6860 • Fax (310) 787-5412

www.brewmatic.com • brew@brewmaticusa.com