

**CARIMALI**  
MACCHINE PER CAFFÈ DAL 1919



kicco

**BREW**  **MATIC**<sup>®</sup>

# Kicco

the café for every occasion



## A Traditional Espresso Machine with Automatic Dosage and High Capacity Boilers

Combining beauty and high performance, the Kicco represents the latest in Italian design and innovation from Carimali; one of the most established manufacturers of espresso equipment worldwide. At the hands of the most experienced barista, or in the company of skilled novices, the Kicco's advanced electronics, controls, and design ensure a premium quality specialty coffee drink.



### Barista Steam Wand

The Barista steam wand system provides automatic steaming and milk frothing.

### Thermister Steam Wand

The Thermister steam wand system provides manual steaming and milk frothing.

Both systems use a probe that cuts off automatically once the set temperature is reached, or can be stopped manually



Raised groups and fold-down trays will accommodate large, regular, and espresso cups.



Stylish rear panel made from high quality super mirror stainless steel

## Options and Accessories

- 3 Group Configuration
- Red Side Panels
- Barista Steam Wand
- Thermister Steam Wand
- Automatic Milk Frother
- Coffee Group Cold Water Mix
- Hot Water Faucet Cold Water Mix
- Coffee Pod Adapter Kit
- Multi Language Memory Kit

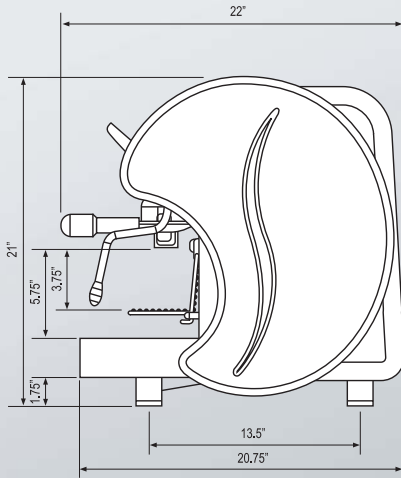


7 back-lighted key buttons and digital display

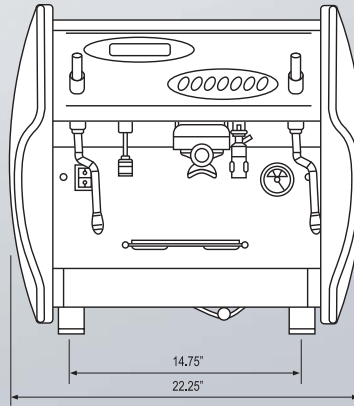
## Design Features

- Built-in motor pump
- Groups attached to thermostatically controlled boiler: adjustable brewing temperature for consistently superior flavour shot after shot
- Temperature probe for a constant control of steam boiler pressure
- Boiler and pump pressure gauge
- No-return system of liquids into the boiler and in the steam taps by means of vacuum valves
- Thermostat safety sensor for the boiler heating element
- Two automatic dosages of hot water
- Two steam levers
- Accounts for dispensed drinks and dispensing time
- Pre-infusion programming for all key buttons
- Password protected access to programming features
- Displays boiling temperature and time
- After a specified number of drinks are served, the display indicates when maintenance is needed and when to renew the water softener
- Programmable energy saving feature switches the machine ON and OFF by hour and day.
- PC board equipped with 32 KB rewritable flash memory
- Slave PC board operates milk frothers and cold water mix for coffee group

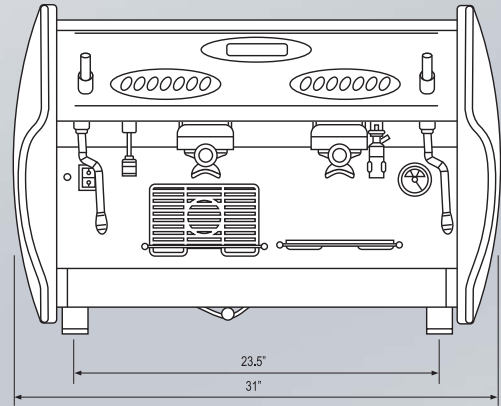
# Kicco



KICCO ONE GROUP



KICCO TWO GROUP



Description	Model Number	Boiler Capacity	Hourly Capacity	Keypad	Power	Weight
Kicco 1 Group	9700064	2.1 gal	240 cups (espresso)	7 Lighted Key Buttons	120V 1950W	84 lbs. 115 lbs. (Net)
Kicco 2 Group	9700063	3.5 gal	480 cups (espresso)	7 Lighted Key Buttons	230V 3850W	124 lbs. 153 lbs. (Net)

Images shown in this presentation are for illustration purposes only and may depict additional features and accessories.



the café for every occasion



**The Total Solution For All Your Coffee Brewing Needs**

20333 South Normandie Avenue ■ Torrance, CA 90502-1215

Phone (800) 421-6860 ■ Fax (310) 787-5412

www.brewmatic.com ■ brew@brewmaticusa.com