



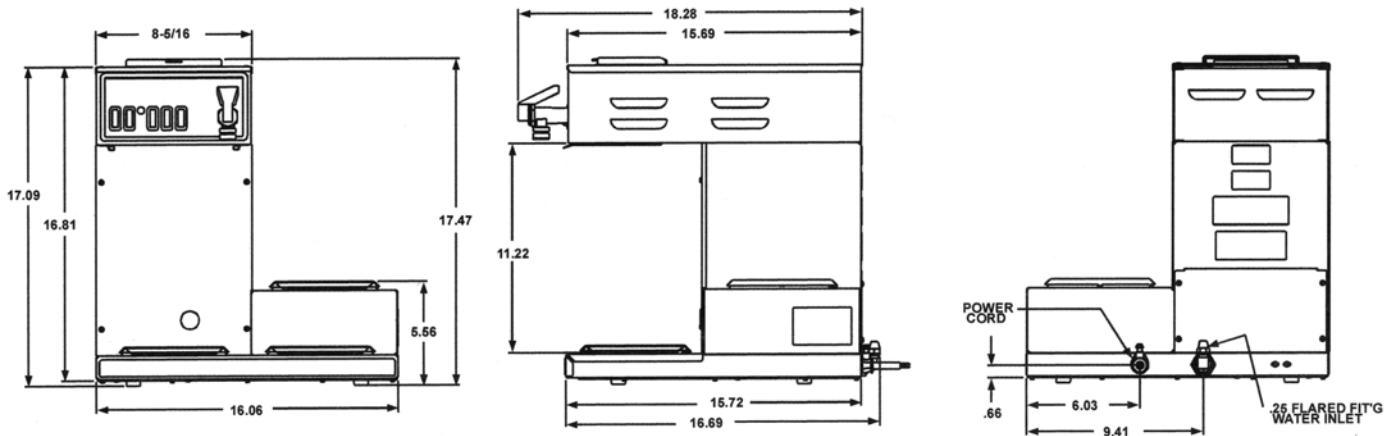
## **LA3 Low Profile 3 Warmer Brewers**

**Available in Automatic With Faucet and Pour Over Models**



(310) 787-5444 (800) 421-6860 Fax (310) 787-5412  
USA e-mail: [brew@brewmaticusa.com](mailto:brew@brewmaticusa.com)  
Int'l e-mail: [brew equip@brewmaticusa.com](mailto:brew equip@brewmaticusa.com)  
Website: [brewmatic.com](http://brewmatic.com)

# LA3 Low Profile 3 Warmer Brewers



## SPECIFICATIONS

Automatic Brewers	Pour-Over Brewers
<b>1034505</b> - Automatic Brewer W/Faucet Left Hand	<b>1034516</b> – Pour-Over Brewer Left Hand
<b>1034506</b> - Automatic Brewer W/Faucet Right Hand	<b>1034517</b> – Pour-Over Brewer Right Hand

<b>Volts</b>	120	220
<b>Watts</b>	1700	1900
<b>Hertz</b>	60	50/60
<b>Phase</b>	1	1
<b>Amps</b>	14.2	10.0
<b>Power Cord</b>	14 Awg., 2 Wire + Ground , 6 Ft. Long	14 Awg., 2 Wire + Ground , 6 Ft. Long
<b>Dimensions</b>	17.47”H x 16.06”W x 18.28”D (Including Faucet)	17.47”H x 16.06”W x 18.28”D
<b>Shipping Wt.</b>	34 lbs. (5.5 Cu.Ft.)	29 lbs. (5.5 Cu.Ft.)
<b>Approvals:</b>	ETL Safety & Sanitation	ETL Safety & Sanitation



(310) 787-5444 (800) 421-6860 Fax (310) 787-5412  
 USA e-mail: brew@brewmaticusa.com  
 Int'l e-mail: brew equip@brewmaticusa.com  
 Website: brewmatic.com