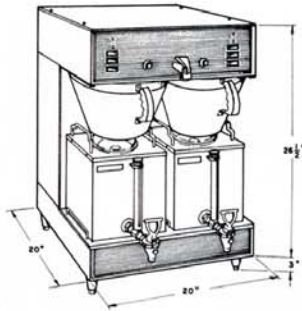




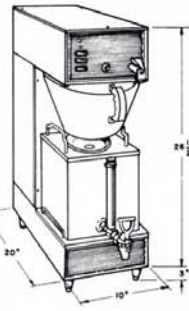
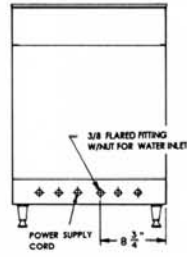
BREW  MATIC

**TWO GALLON SINGLE AND TWO
GALLON TWIN BREWING SYSTEMS**
Unequaled flexibility for commercial volumes.

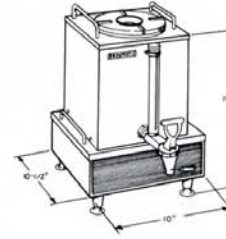
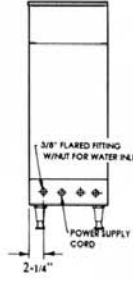
Two Gallon Single and Two Gallon Twin Brewing Systems



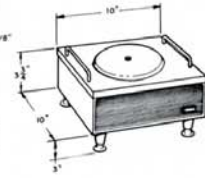
TWO GALLON TWIN



TWO GALLON SINGLE



CONTAINER



STOVE

PART NO.	DESCRIPTION	DIMENSIONS	SHIPPING WEIGHT	VOLTS	WATTS	AMPS
1032560 U.L., NSF, L.A. City Mech., MEA	2 Gallon Single Brewer, 1 Warming Station. Power cord is 10AWG, 3 wire + ground. Type STO. Plug is not supplied.	26 1/2"H (without feet) x 10"W x 20"D (67.3cm x 51cm x 51cm)	64 lbs.	120/240 120/208	3735 2950	16.7 14.9
1032555 U.L., NSF, L.A. City Mech., MEA	2 Gallon Single Brewer. Power cord with plug attached; 5 ft., 2 wire + ground NEMA STD, 5-15P	26 1/2"H (without feet) x 10"W x 20"D (67.3cm x 51cm x 51cm)	64 lbs.	120	1750	14.6
1032520 U.L., NSF, L.A. City Mech., MEA	2 Gallon Twin System Brewer, 2 Warming Stations, Power Cord 10AWG, 3 wire + ground. Type STO. Plug is not supplied.	26 1/2"H (without feet) x 20"W x 20"D (67.3cm x 51cm x 51cm)	116 lbs.	120/240	7070	30.4
1800521 U.L., NSF	Satellite Stove. 1 Warming Station. Power cord with plug attached; 5th., 2 wire + ground NEMA STD, 5-15P	3 3/4"H (without feet)	9 lbs.	120	140	1.2
1032010 NSF	2 Gallon Stainless Steel Container		13 lbs.			

All models are 50/60 Hz, single phase and can be configured to meet any electrical specifications.

FEATURES

- Half brew capability.
- Adjustable water bypass on each brewing head assures the highest quality coffee even in soft water regions.
- Built-in receptacle on back of machine for satellite stove (Available on 120/240 units).
- Portable satellite containers expand service.
- Hot water faucet can be used while unit is operating without affecting the brewing cycle.
- Lighted switches.
- Brew light indicates when system is ready to brew.
- Heavy gauge stainless steel.
- Includes Brewmatic's full, one-year warranty on all components.

TWO GALLON TWIN BREWER

- Large 4 gallon capacity.
- Brews 1 to 4 gallons (25 to 102 cups) automatically. Up to 600 cups per hour.
- Two separate brewing systems for simultaneous or independent brewing eliminate down time.

TWO GALLON SINGLE BREWER

- 2 gallon capacity.
- Brews 1 or 2 gallons (25 to 50 cups) automatically. Up to 300 cups per hour.

Brewmatic's natural paper filters produce the finest possible coffee because they do not contain bleaching agents.

ACCESSORIES

- Satellite stove with safety rails and lighted switch
- Additional two gallon stainless steel containers
- Faucet guard
- In line water filter
- Stainless steel drip trays



Corporate Office:
P. O. Box 2959
Torrance, CA 90509-2959
(310) 787-5444 1-800-421-6860
FAX (310) 787-5412

Regional Office:
12838 Pennridge Drive
St. Louis, MO 63044
(314) 291-4656 1-800-542-4306
FAX (314) 291-4860



Form: 22
Revised 4/98
Printed in U.S.A.